

Cam-Lok® "J" Power Series



All Cam-Lok part numbers available in convenient, single-use, color-coded packaging.

THREE WAY "T" CONNECTORS			ADAPTORS		
COLOR	PARALLELING "T" COMPLETE PART NO. M-M-F	TAPPING "T" COMPLETE PART NO. M-F-F	DOUBLE FEMALE COMPLETE PART NO.	DOUBLE MALE COMPLETE PART NO.	MALE - FEMALE COMPLETE PART NO.
BLACK	E1015-2324	E1015-2312	E1015-2352	E1015-2362	E1015-2336
RED	E1015-2326	E1015-2314	E1015-2354	E1015-2364	E1015-2338
GREEN	E1015-2328	E1015-2316	E1015-2356	E1015-2366	E1015-2340
WHITE	E1015-2329	E1015-2317	E1015-2357	E1015-2367	E1015-2341
BLUE	E1015-2348	E1015-2350	E1015-2358	E1015-2368	E1015-2361
BROWN	E1015-2342	E1015-2370	E1015-2359	E1015-2369	E1015-2371
ORANGE	E1015-2327	E1015-2315	E1015-2355	E1015-2365	E1015-2339
YELLOW	E1015-2325	E1015-2313	E1015-2353	E1015-2363	E1015-2337

PROTECTIVE CAPS		
COLOR	MALE	FEMALE
BLACK	A100793-1	A100792-1
RED	A100793-3	A100792-3
GREEN	A100793-5	A100792-5
WHITE	A100793-6	A100792-6
BLUE	A100793-7	A100792-13
BROWN	A100793-8	A100792-8
ORANGE	A100793-4	A100792-4
YELLOW	A100793-2	A100792-2

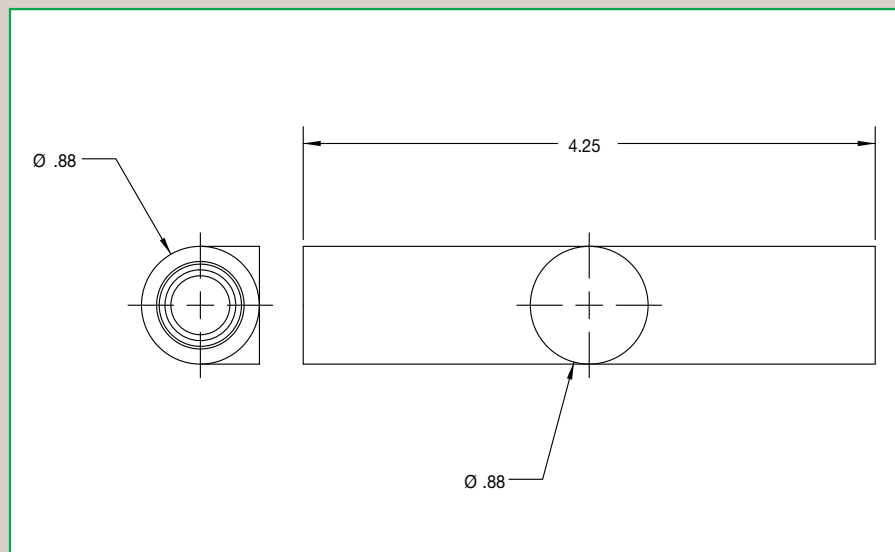


E1015-2314



A100792-1

E1015 Series



CAM-LOK "J" POWER SERIES
RECEPTACLES AND PLUGS PROVIDE THE MEANS TO QUICKLY CONNECT AND DISCONNECT POWER SYSTEMS SAFELY AT CONCERTS AND CARNIVALS AS WELL AS CONNECTING GENERATORS, STANDBY POWER, AND LOAD TESTING IN HOSPITALS, UTILITIES AND HEAVY INDUSTRIAL ENVIRONMENTS.

RATINGS: 600 VOLTS UP TO 150 AMPERES CONTINUOUS

STANDARD MATERIALS
CABLE SIZE: #8 - #4
BODY: SYNTHETIC RUBBER
CONTACT: BRASS

AGENCY APPROVALS
UL LISTED E67181
CSA CERTIFIED LR13963

ENVIRONMENTAL RATING: NEMA 3R